

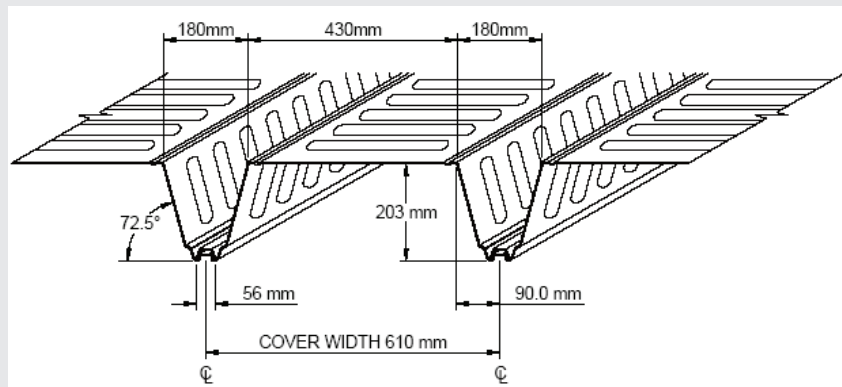


Authorized distributor of

Ultra-Bond

The **ULTIMATE** composite floor system

- Create a thin, highly effective composite floor capable of spans up to 11 meters (36')
- Ideal for use with ICF construction & hydronic heating
- Allows maximum architectural design freedom
- Excellent sound & fire resistance characteristics
- Easy to install



Contact us for more information and pricing at 1-877-351-5603

877.351.5603 | www.fastform.ca